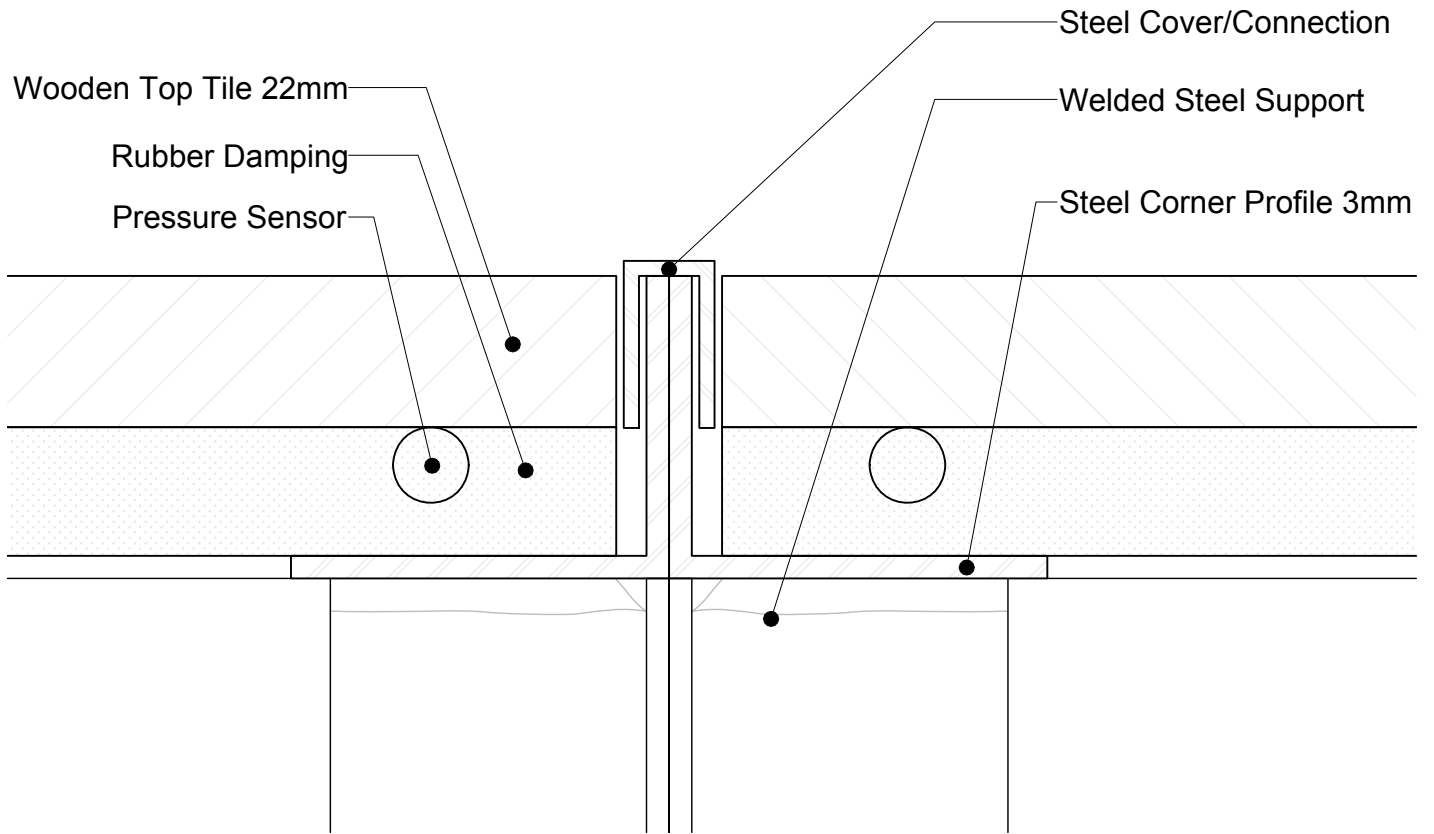


Section of the floor connection



Section of the rotation circle

